

NOTICE

The purchaser agrees when purchasing this plan (the "Plan"); the purchaser has acquired the right to build or construct the project or project set out in the Plan for personal use only and not for any commercial use. 2) reproduction of the Plan in whole or in part by any means whatsoever is strictly prohibited. The Handyman should not be liable for any willful misuse or negligent use of this plan, the Project or any tools used to construct the Project or for any loss or damage resulting therefrom.

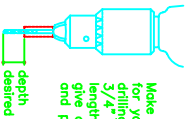
NOTE : Read all directions before beginning

Set and fill all nails
Carpenter's glue should be used to reinforce all joints
Dimensions shown in brackets denote millimeters

Directions (Abbreviations)

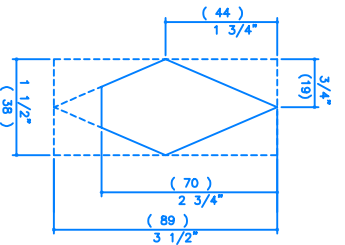
- 1) Lay out your material as outlined in the suggested materials layout (Fig 1). Draw out all parts exactly as illustrated in cutting diagram (Fig 2), including the letter designations, in pencil. Ensure to leave a small space between cut lines to allow for the width of the saw. Before cutting, double check all measurements to ensure they are correct. Always cut on the waste side of the line. For pieces M and J, you can sand the angle the width of grit sandpaper (to be used to sand the angle) to give the pieces a rounded shape shown (Fig 3). The "long" edge measurements are given. Exact detail is not critical, however the two pieces must be different enough that there will be no confusion during the game.
- 2) To make pieces E and F, draw the lines on the rectangles as shown (Fig 4) and place the pieces in a vise to cut, or you could clamp the pieces to your work table and cut.
- 3) To attach the parts of the pieces together, drill the pieces to a depth of 3/8" with a depth gauge (Illustration 1 and a 1/4" drill bit. The holes should be drilled in the centre of each piece, with the exception of pieces E and L. Drill these pieces as shown (Fig 5); you can use a vise, or clamp them to the work table to hold them steady. You prevent injury. Attach together with the wood glue. All pieces you prevent the wood in glue before finishing in the holes. All assemblies are drilled and glued in a similar fashion (Fig 6).
- 4) If you have used only one type of wood for both sides, stain one side with dark stain, the other with a light stain (or no stain). You may wish to finish the pieces with oil or varnish, however do not finish the bottoms. Glue felt to the bottom of the pieces.

OVER



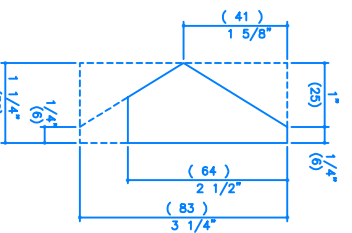
DRILL DEPTH GAUGE ILLUSTRATION 1

Make a depth gauge from wood by drilling through a 3/4" x 3/4" piece of wood lengthwise. Cut wood to give desired depth of drill and place over drill bit.



PIECE F

FIGURE 4



PIECE E

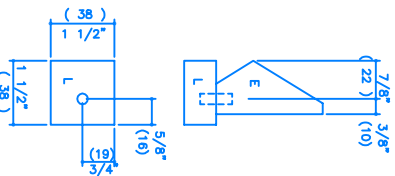


FIGURE 5

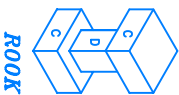
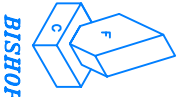
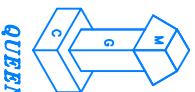
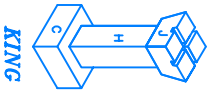
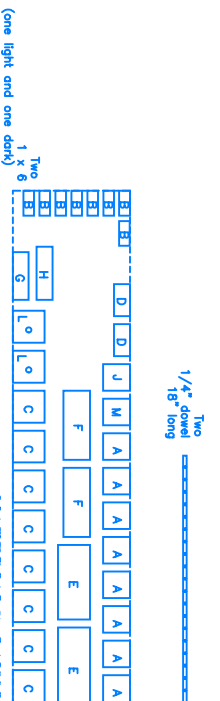
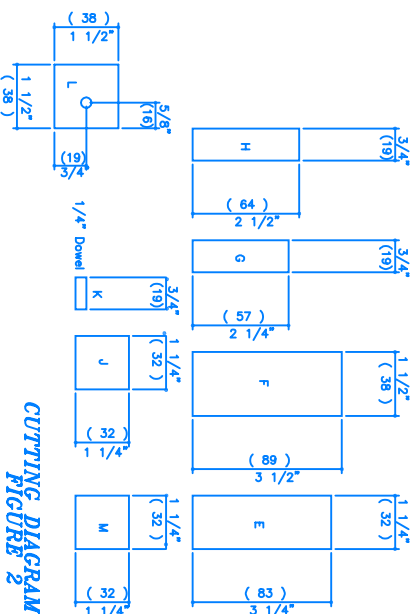
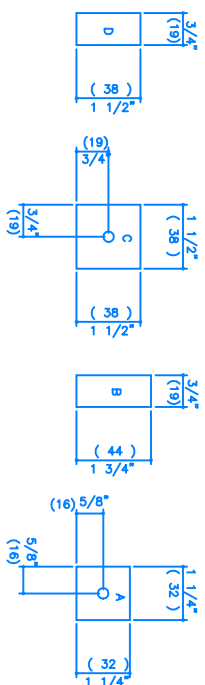


FIGURE 6



MATERIALS LAYOUT FIGURE 1



CUTTING DIAGRAM FIGURE 2

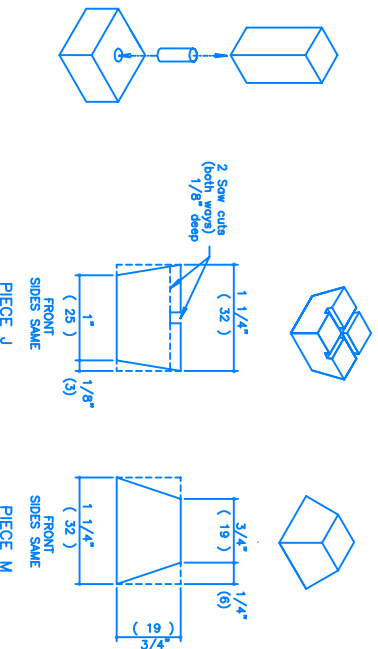


FIGURE 3

MATERIALS LIST

- One 18" length 1/4" dowel
- Two 3" x 1/2" x 1/4" (23)*
- Two 3" x 1/2" x 1/4" (23)*
- Two 3" x 1/2" x 1/4" (23)*
- Two 5" x 1/2" x 1/4" (38)*
- One 2" x 4" x 1/4" plywood
- Eight square feet felt
- Carpenter's glue & Wood filler

MATERIALS LIST

- Sanding paper
- Approx. 1/2 lb. 1/4" finishing nails
- Approx. 1/2 lb. 1/4" finishing nails
- Four small hinges with 1/4" mounting hardware
- Two suitcase latches with 1/2" mounting hardware
- One carrying handle with hardware
- * or you may use light wood and light and dark stain

TOOLS

- Table Saw
- Pencil and Measuring Tape
- Power Drill
- Power 1/4" drill bit
- Hammer and Screwdrivers
- Square and Nail Set
- Knife and Finishing Saw
- Paint Brush and Putty Knife